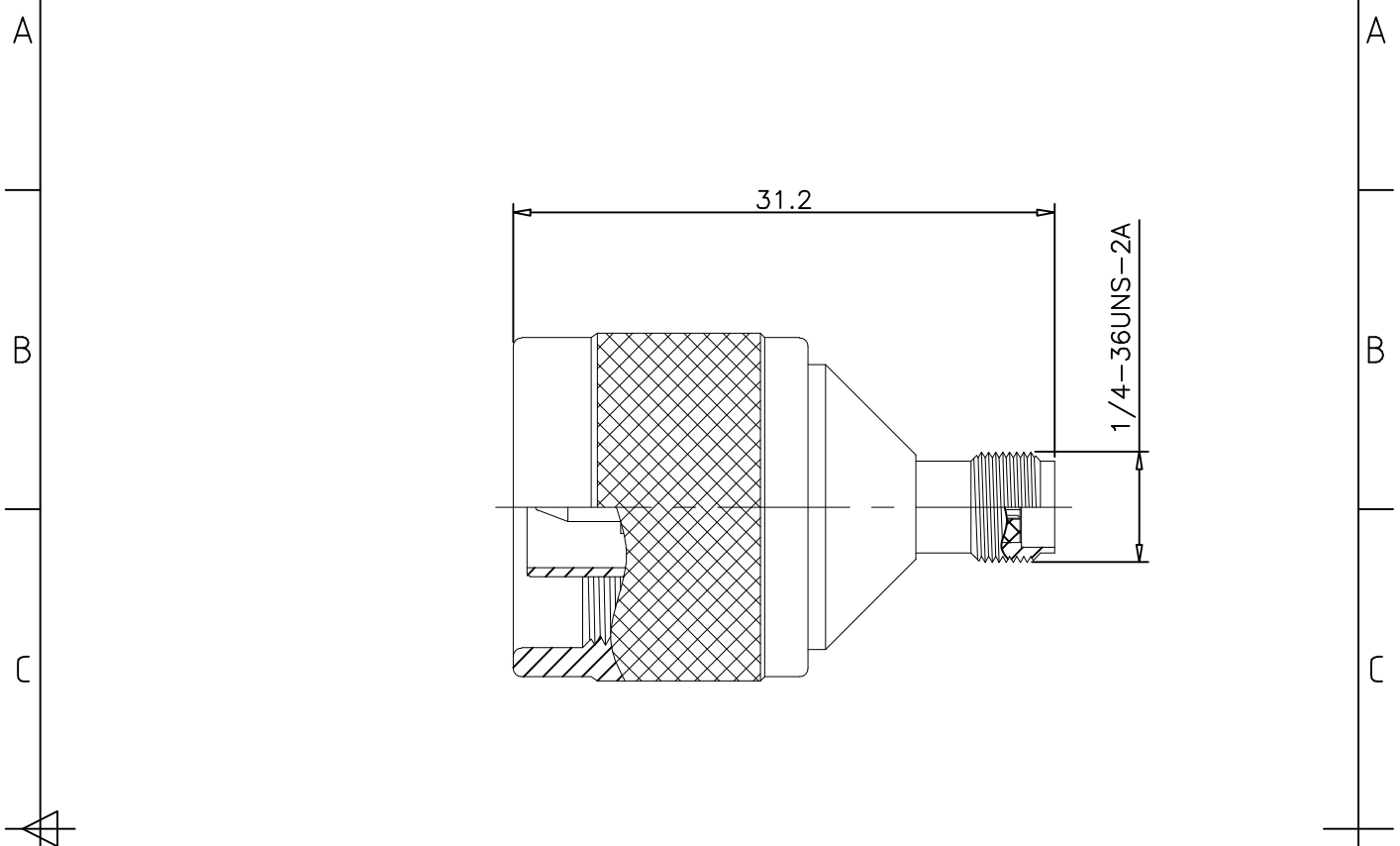


1	2	3	4	
RevNo	Revision note	Date	Signature	Checked
00	Sketch Only	6/26/14	Teresa	Simon



Material & Finishing:

1. Center conductor: Beryllium, Gold Plating
2. Insulators: PTFE
3. Body : Brass, Nickel Plating
4. Gasket: Silicone Rubber
5. Coupling Nut: Brass, Nickel Plating
6. Snap Ring: Phosphor Bronze

RoHS Compliant.

ALL DIMENSIONS ARE IN MILLIMETERS AND [INCHES]

Title			
N male to SMA female			
Drawn by	Ckd by	Appd by	Date
Teresa	Simon	Richard	6/26/2014
Scale	Sheet 1 of 1	A8010 11 1121 02	
2.5:1			

KERUI ELECTRONIC CO;LTD

THESE DRAWING & SPEC. ARE THE PROPERTY OF KERUI ELECTRONIC CO;LTD AND SHALL NOT BE REPRODUCED, OR COPIED OR USED AS THE BASIS FOR THE MANUFACTURE OR SALE OF APPARATUS OR DEVICES WITHOUT THEIR EXPRESS WRITTEN CONSENT.

UNLESS OTHERWISE NOTED ALL SURFACES FINISHED TO 64/MAX.  
 ALL TOLERANCES ARE:  
 DECIMALS    FRACTIONS    ANGLES  
 x ± 1.0    ±1/64    x' ± 1'  
 x.x ± 0.5          x'x' ± 0.5  
 x.xx ± 0.1